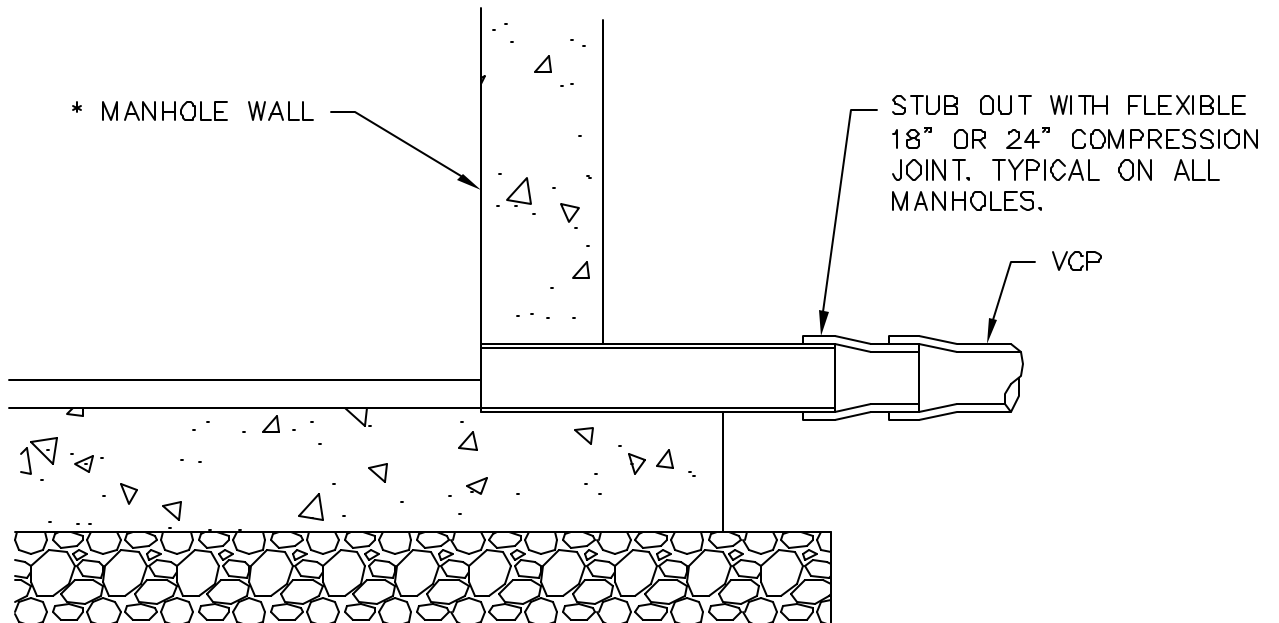


PVC PIPE DETAILS

NOTE:
 COMPRESSION JOINTS AND COUPLINGS SHALL BE ASSEMBLED IN STRICT ACCORDANCE WITH THE MANUFACTURER'S RECOMMENDATIONS. JOINTS AND COUPLINGS SHALL BE MANUFACTURED AND INSTALLED IN ACCORDANCE WITH ASTM-C425.
 * MANHOLE WALL THICKNESS SHALL BE CONSTANT. NO TRANSITION SHALL BE ALLOWED.



VITRIFIED CLAY PIPE (VCP) DETAILS

STANDARD DRAWING NO. 615-1-1018
 OCT. 1, 1988 2:50 PM BORDEN

REVISIONS	NO.	DATE	ITEM CHANGED

CITY OF EDMOND
 ENGINEERING DEPARTMENT
 CONSTRUCTION STANDARDS

**VITRIFIED CLAY &
 PVC PIPE**

SEWER
 SPECIFICATION NO. 615
 SS-14 PAGE 33